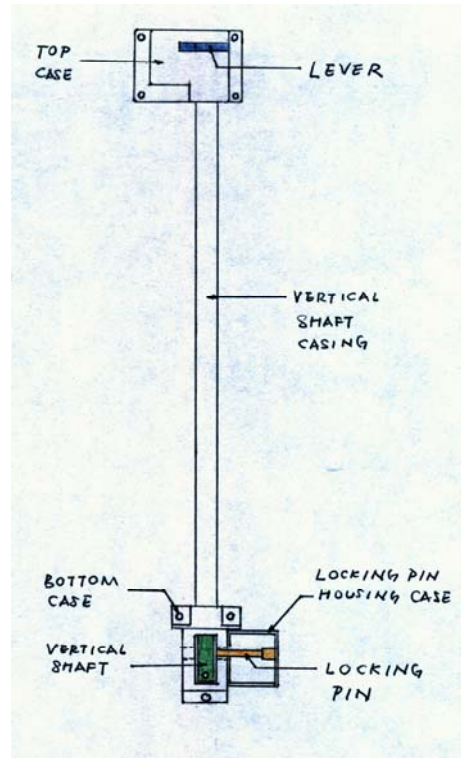


GRILOC WINDOW SAFETY LOCK

INSTALLATION MANUAL

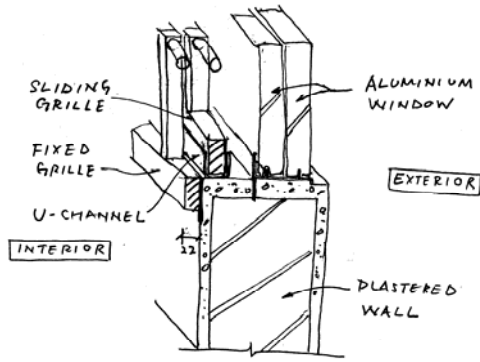


The Griloc window safety lock is only suitable for sliding type of window grille.

If you have not installed a window grille or when you buy a new house with no window grille, you may instruct your grille supplier to install Griloc window safety lock by following the steps below.

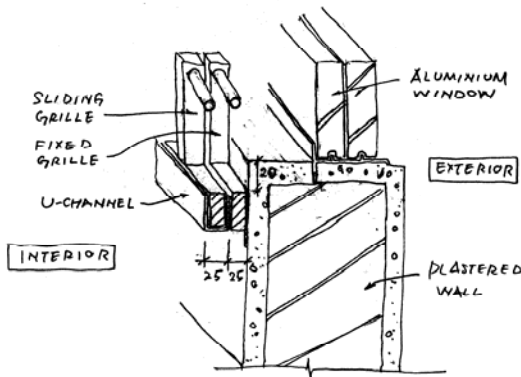
If you have already installed a conventional type of sliding window grille which use padlock to lock or a fixed type window grille, you may have to take down the existing window grille and modify it before you can install Griloc window safety lock.

The conventional sliding window grille is installed with U-channel placed on top of the window sill (see figure below):-



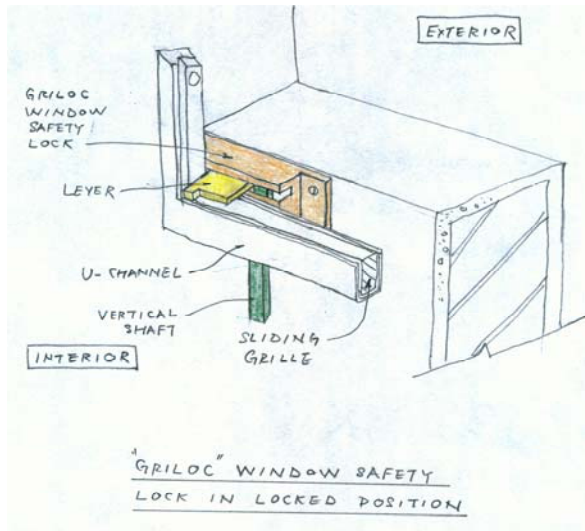
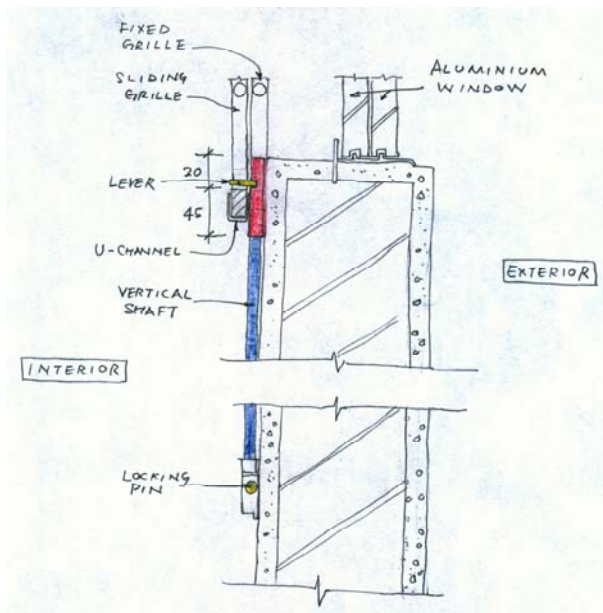
CONVENTIONAL WINDOW GRILLE
INSTALLATION DETAILS.

Contrary to the conventional window grille, for installation of Griloc window safety lock, the U-channel has to be at the inner side away from the window sill (see figure below):-



WINDOW GRILLE INSTALLATION
DETAILS (FOR "GRILOC" WINDOW
SAFETY LOCK)

You have to extend the window grille by at least 20mm from the edge of the window sill to accommodate the Griloc window safety lock.



Kindly take note that:-

- a. The window grille for Griloc window safety lock installation is at least 20mm longer than the conventional one.
- b. As the U-channel is at the inner side, the thickness of the frame of window grille has to be the thickness of two (double) box channel (20mm x 20mm) with a flat plate mounting on the wall. The total thickness is about 50mm. Of course the two box channels and flat plate have to be welded together.

After proper installation, the Griloc window safety lock and window grille will have the following appearance:-

